



KANOMAX
The Ultimate Measurements

KANOMAX USA, INC.
219 ROUTE 206
ANDOVER, NJ 07821

Phone: 973.786.6386

Engineering Drawings & Info: Vane

sales@kanomax-usa.com

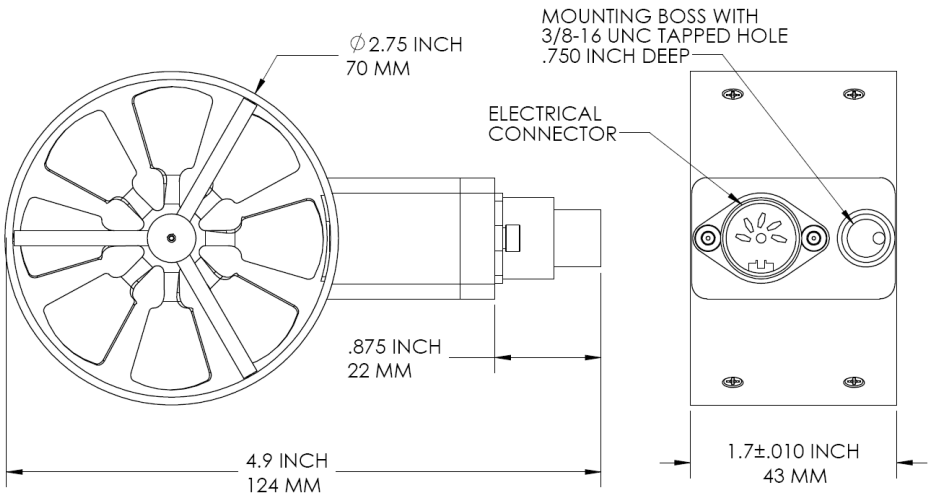
SPECIFICATIONS

Airflow measurement range: 50 – 7800 FPM (feet per minute)
0.2 - 40.0 MPS (meters per second)

Accuracy: $\pm 1.0\%$ of reading + 1 digit

Operating Temperature: -4° to 212°F
-20° to 100°C

Dimensions





KANOMAX

The Ultimate Measurements

KANOMAX USA, INC.

219 ROUTE 206

ANDOVER, NJ 07821

Phone: 973.786.6386

sales@kanomax-usa.com

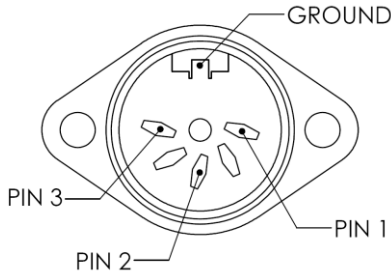
ELECTRICAL AND SIGNAL INFORMATION

The AP275 probe outputs a calibrated, single-ended, 50% duty cycle 5-Volt square wave as shown on the next page. The frequency of this square wave corresponds to the airflow measured by the instrument according to the following formula:

$$Velocity = 3.1595 \times f + 36.4$$

where *Velocity* is the air velocity in **feet per minute** (FPM) and *f* is the output frequency of the signal from the probe in Hertz (Hz).

ELECTRICAL CONNECTOR PINOUT DIAGRAM



Mating Cable Connector:
Switchcraft Part No. 05CL3MX (RoHS version)
Switchcraft Part No. 05CL3M (non-RoHS version)

Pin Assignments

PIN	Purpose	Value
GROUND	Ground	Ground
PIN 2	Output Signal	5-Volt Square Wave (TTL), 50% duty cycle
PIN 3	Supply Voltage (V _{cc})	5 Volts DC @ 5 mA



KANOMAX

The Ultimate Measurements

KANOMAX USA, INC.

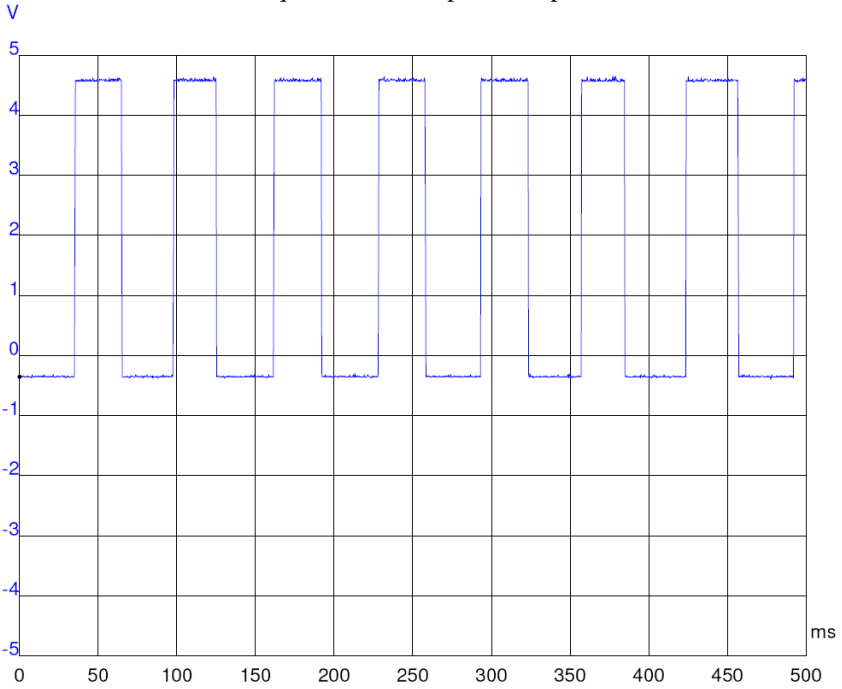
219 ROUTE 206

ANDOVER, NJ 07821

Phone: 973.786.6386

sales@kanomax-usa.com

Square Wave Output Example





KANOMAX

The Ultimate Measurements

KANOMAX USA, INC.

219 ROUTE 206

ANDOVER, NJ 07821

Phone: 973.786.6386

sales@kanomax-usa.com

CALIBRATION

To maintain your instrument in top working order, we recommend that you send it back to us for calibration each year, beginning one year after purchase.

Our NIST-Traceable multi-point calibration services include ensuring the instrument performs within its accuracy tolerance, making any necessary adjustments, and inspecting all aspects of the instrument's functionality so that you'll have another year of dependable service. Calibration also includes a complimentary firmware upgrade so that you know you'll have the latest advances in accuracy and reliability in your instrument.

Additional points other than our standard calibration are also available from the factory. We can offer precise calibration tailored to your specific measurement needs using our state-of-the-art facilities and calibration equipment.

Please contact us or visit our website for the latest information on calibrating your instrument.

NOTE: Probes sold individually are calibrated using a control instrument. The data contained on the certificate of calibration is for reference only. Additional equipment and connections may change or alter the data. It is highly recommended that the entire unit be re-calibrated at the manufacturer's facility.
